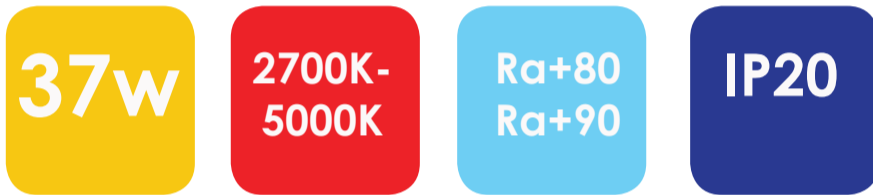
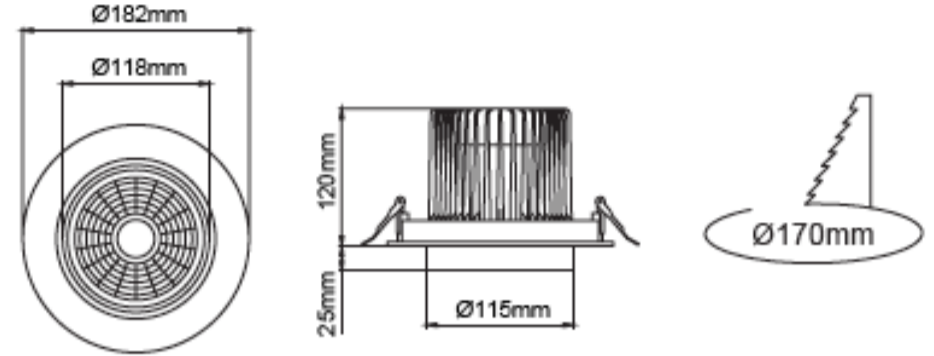


Delta Flux Bridgespot

AVOLUX®



Electrical Parameters

Base Model No.:	LL.I01.MLR.16016
Led Type:	Tridonic (44)
Colours:	White, black, silver
Wattage:	37W
CCT:	2700K - 5000K
IP Rating:	IP 20
Beam Angle:	20°, 30°, 50°
CRI:	Ra+80, Ra+90

Features

- Die-cast aluminium body.
- Only to be used with electronic Led driver.
- Mains voltage: 220-240V / 50-60Hz.
- Clever thermal design.
- 1-10V, DALI and switch dimming options available upon request.
- Clear safety glass.
- Honeycomb filter accessory available.
- Narrow, medium and wide beam angle options available with rotationally symmetric light distribution.
- Emergency kit system can be integrated.

Specifications

Model	Wattage	CCT	Lumens	Colour	Beam Angle
LL.I01.MLR.16016-WH/3/50	37W	3000K	4500lm	White	50°
LL.I01.MLR.16016-WH/3.5/50	37W	3500K	4587lm	White	50°
LL.I01.MLR.16016-WH/4/50	37W	4000K	4675lm	White	50°
LL.I01.MLR.16016-GR/3/50	37W	3000K	4500lm	Grey	50°
LL.I01.MLR.16016-GR/3.5/50	37W	3500K	4587lm	Grey	50°
LL.I01.MLR.16016-GR/4/50	37W	4000K	4675lm	Grey	50°
LL.I01.MLR.16016-BL/3/50	37W	3000K	4500lm	Black	50°
LL.I01.MLR.16016-BL/3.5/50	37W	3500K	4587lm	Black	50°
LL.I01.MLR.16016-BL/4/50	37W	4000K	4675lm	Black	50°