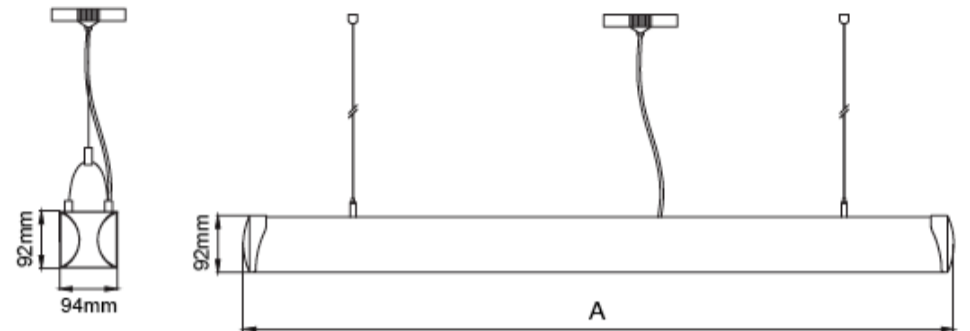


Linear Led Cubus Suspended

AVOLUX®



Electrical Paramaters

Base Model No.:	LL.I02.LL.19150
Colours:	White, black, silver
Wattage:	41W, 51.5w, 62w
Lenght:	1157mm, 1437mm, 1717mm
CCT:	2700K - 5000K
IP Rating:	IP 20
Beam Angle:	110°
CRI:	Ra+80

Features

- Aluminium profile body.
- Plastic end caps.
- Only to be used with electronic Led Driver.
- Mains voltage: 220-240V / 50-60Hz.
- Clever thermal design.
- 1-10V and DALI dimming options available upon request.
- Opal diffuser.
- Overt 100%/W efficiency.
- An emergency kit system can be integrated.
- Steel suspension cord with up to 5m lenght option.

Specifications

Model	Wattage	CCT	Lumens	Colour	Beam Angle
LL.I02.LL.19150.40.43-WH/3/110	41w	3000K	2975lm	White	110°
LL.I02.LL.19150.40.43-WH/3.5/110	41w	3500K	3037lm	White	110°
LL.I02.LL.19150.40.43-WH/4/110	41w	4000K	3100lm	White	110°
LL.I02.LL.19150.40.43-GR/3/110	41w	3000K	2975lm	Grey	110°
LL.I02.LL.19150.40.43-GR/3.5/110	41w	3500K	3037lm	Grey	110°
LL.I02.LL.19150.40.43-GR/4/110	41w	4000K	3100lm	Grey	110°
LL.I02.LL.19150.40.43-BL/3/110	41w	3000K	2975lm	Black	110°
LL.I02.LL.19150.40.43-BL/3.5/110	41w	3500K	3037lm	Black	110°
LL.I02.LL.19150.40.43-BL/4/110	41w	4000K	3100lm	Black	110°