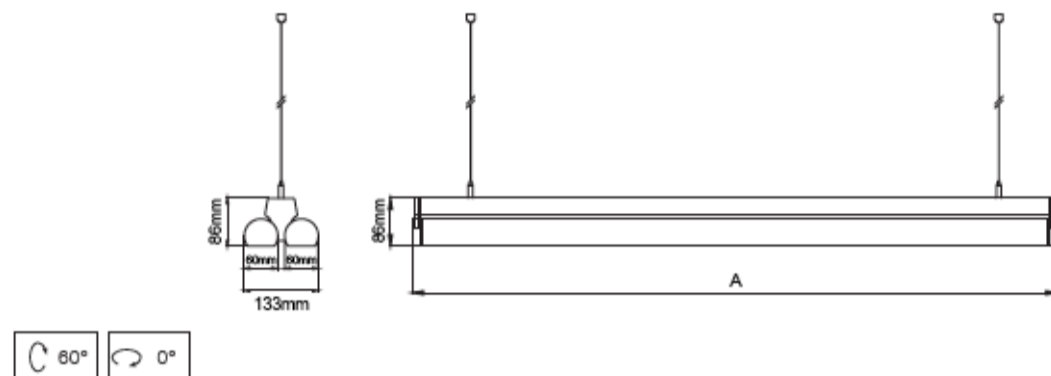


# Linear Led Market White low glare Reflector

AVOLUX®



## Electrical Parameters

<b>Base Model No.:</b>	<b>LL.I02.LL.19209</b>
Colours:	White, black, silver
Wattage:	62W, 82W
CCT:	2700K - 5000K
IP Rating:	IP 20
Length:	840mm, 1120mm
CRI:	Ra+80

## Features

- Aluminium profile body.
- Plastic end caps.
- Only to be used with electronic Led Driver.
- Mains voltage: 220-240V / 50-60Hz.
- Clever thermal design.
- 1-10V and DALI dimming options available upon request.
- White painted raster louver decreases UGR.
- Tiltable light heads.
- An emergency kit system can be integrated.

## Specifications

Model	Wattage	CCT	Lumens	Colour	Beam Angle
LL.I02.LL.19209.40.85-WH/3	82W	3000K	7350lm	White	/
LL.I02.LL.19209.40.85-WH/3.5	82W	3500K	7475lm	White	/
LL.I02.LL.19209.40.85-WH/4	82W	4000K	7600lm	White	/
LL.I02.LL.19209.40.85-GR/3	82W	3000K	7350lm	Grey	/
LL.I02.LL.19209.40.85-GR/3.5	82W	3500K	7475lm	Grey	/
LL.I02.LL.19209.40.85-GR/4	82W	4000K	7600lm	Grey	/
LL.I02.LL.19209.40.85-BL/3	82W	3000K	7350lm	Black	/
LL.I02.LL.19209.40.85-BL/3.5	82W	3500K	7475lm	Black	/
LL.I02.LL.19209.40.85-BL/4	82W	4000K	7600lm	Black	/