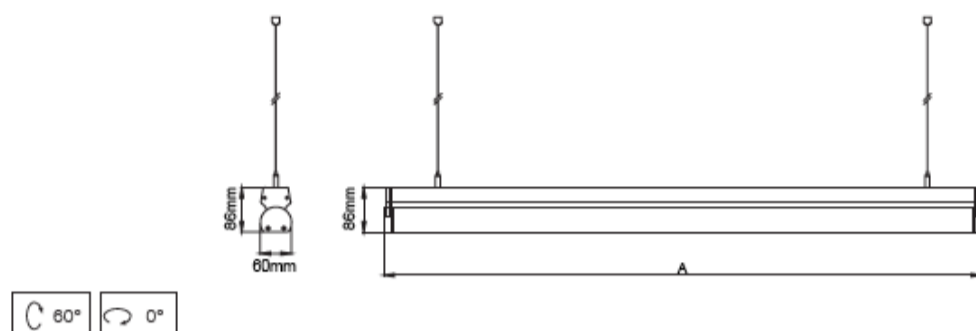
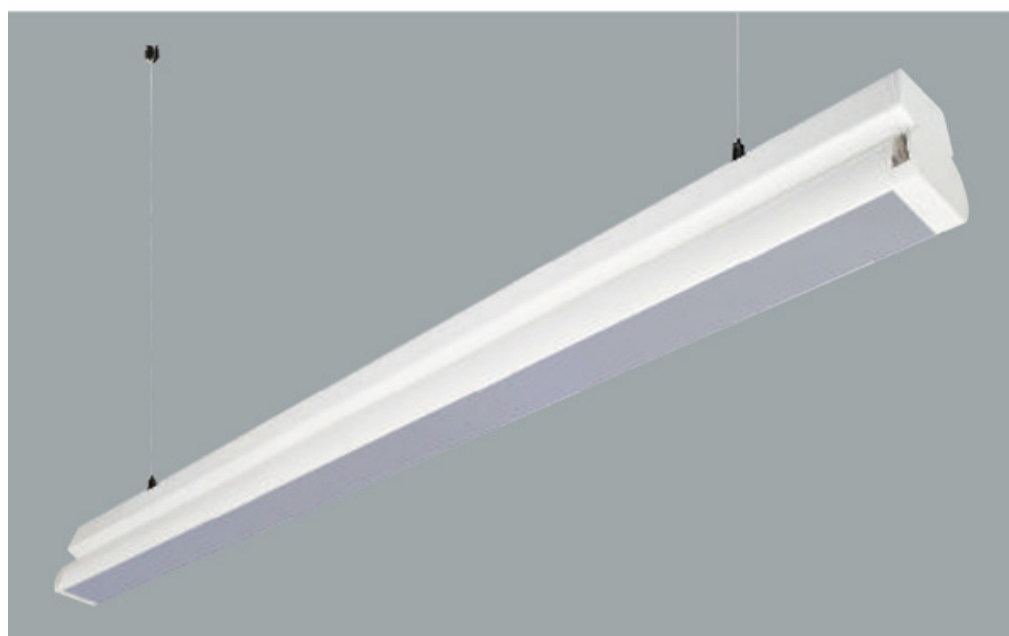


Linear Led Rood

AVOLUX®



Electrical Paramaters

| | |
|------------------------|-------------------------------|
| Base Model No.: | LL.I02.LL.19210 |
| Colours: | White, black, silver |
| Wattage: | 33W, 41W, 51W, 62W |
| Lenght: | 840mm, 1120mm, 1400mm, 1680mm |
| CCT: | 2700K - 5000K |
| IP Rating: | IP 20 |
| CRI: | Ra+80 |

Features

- Aluminium profile body.
- Plastic end caps.
- Only to be used with electronic Led Driver.
- Mains voltage: 220-240V / 50-60Hz.
- Clever thermal design.
- 1-10V and DALI dimming options available upon request.
- Opal and clear glass diffuser options available.
- Tiltable light head.
- An emergency kit system can be integrated.

Specifications

| Model | Wattage | CCT | Lumens | Colour | Beam Angle |
|------------------------------|---------|-------|--------|--------|------------|
| LL.I02.LL.19210.40.65-WH/3 | 62W | 3000K | 5500lm | White | / |
| LL.I02.LL.19210.40.65-WH/3.5 | 62W | 3500K | 5600lm | White | / |
| LL.I02.LL.19210.40.65-WH/4 | 62W | 4000K | 5700lm | White | / |
| LL.I02.LL.19210.40.65-GR/3 | 62W | 3000K | 5500lm | Grey | / |
| LL.I02.LL.19210.40.65-GR/3.5 | 62W | 3500K | 5600lm | Grey | / |
| LL.I02.LL.19210.40.65-GR/4 | 62W | 4000K | 5700lm | Grey | / |
| LL.I02.LL.19210.40.65-BL/3 | 62W | 3000K | 5500lm | Black | / |
| LL.I02.LL.19210.40.65-BL/3.5 | 62W | 3500K | 5600lm | Black | / |
| LL.I02.LL.19210.40.65-BL/4 | 62W | 4000K | 5700lm | Black | / |