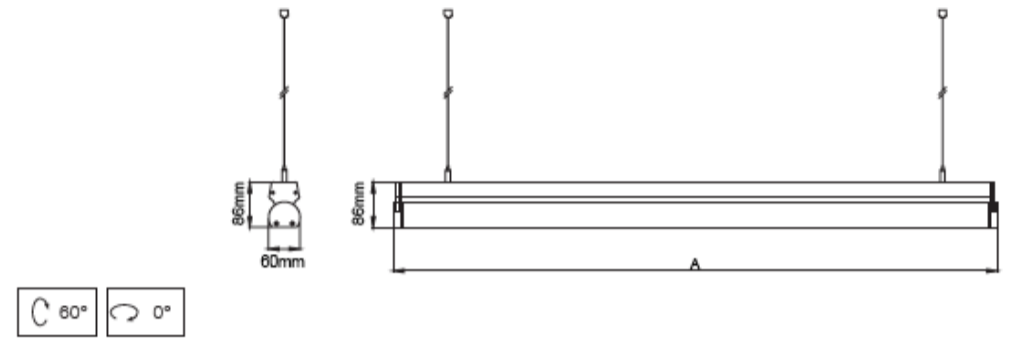


# Linear Led Rood Low Glare Louver

AVOLUX®



## Electrical Paramaters

<b>Base Model No.:</b>	<b>LL.I02.LL.19212</b>
Colours:	White, black, silver
Wattage:	33W, 41W, 51W, 62W
Length:	840mm, 1120mm, 1400mm, 1680mm
CCT:	2700K - 5000K
Beam Angle:	112°
IP Rating:	IP 20
CRI:	Ra+80

## Features

- Aluminium profile body.
- Plastic end caps.
- Only to be used with electronic Led Driver.
- Mains voltage: 220-240V / 50-60Hz.
- Clever thermal design.
- 1-10V and DALI dimming options available upon request.
- High efficiency miro silver matt parabolic reflector.
- Tiltable light head.
- An emergency kit system can be integrated.

## Specifications

Model	Wattage	CCT	Lumens	Colour	Beam Angle
LL.I02.LL.19212.40.65-WH/3/112	62w	3000K	5500lm	White	112°
LL.I02.LL.19212.40.65-WH/3.5/112	62w	3500K	5600lm	White	112°
LL.I02.LL.19212.40.65-WH/4/112	62w	4000K	5700lm	White	112°
LL.I02.LL.19212.40.65-GR/3/112	62w	3000K	1000lm	Grey	112°
LL.I02.LL.19212.40.65-GR/3.5/112	62w	3500K	1025lm	Grey	112°
LL.I02.LL.19212.40.65-GR/4/112	62w	4000K	1050lm	Grey	112°
LL.I02.LL.19212.40.65-BL/3/112	62w	3000K	1000lm	Black	112°
LL.I02.LL.19212.40.65-BL/3.5/112	62w	3500K	1025lm	Black	112°
LL.I02.LL.19212.40.65-BL/4/112	62w	4000K	1050lm	Black	112°