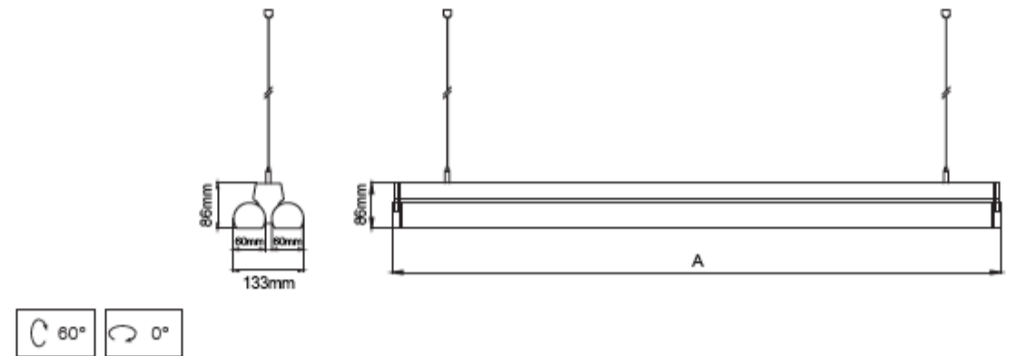


Linear Led Market Low glare reflector

AVOLUX®



Electrical Paramaters

Base Model No.:	LL.I02.LL.19207
Colours:	White, black, silver
Wattage:	62W, 82W
Lenght:	840mm, 1120mm
CCT:	2700K - 5000K
IP Rating:	IP 20
CRI:	Ra+80

Features

- Aluminium profile body.
- Plastic end caps.
- Only to be used with electronic Led Driver.
- Mains voltage: 220-240V / 50-60Hz.
- Clever thermal design.
- 1-10V and DALI dimming options available upon request.
- High efficiency miro silver matt parabolic reflector.
- Tiltable light heads.
- An emergency kit system can be integrated.

Specifications

Model	Wattage	CCT	Lumens	Colour	Beam Angle
LL.I02.LL.19207.40.65-WH/3	62W	3000K	5500lm	White	/
LL.I02.LL.19207.40.65-WH/3.5	62W	3500K	5600lm	White	/
LL.I02.LL.19207.40.65-WH/4	62W	4000K	5700lm	White	/
LL.I02.LL.19207.40.65-WH/3	62W	3000K	5500lm	Grey	/
LL.I02.LL.19207.40.65-WH/3.5	62W	3500K	5600lm	Grey	/
LL.I02.LL.19207.40.65-WH/4	62W	4000K	5700lm	Grey	/
LL.I02.LL.19207.40.65-WH/3	62W	3000K	5500lm	Black	/
LL.I02.LL.19207.40.65-WH/3.5	62W	3500K	5600lm	Black	/
LL.I02.LL.19207.40.65-WH/4	62W	4000K	5700lm	Black	/