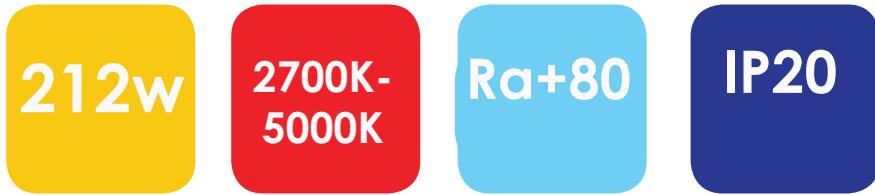
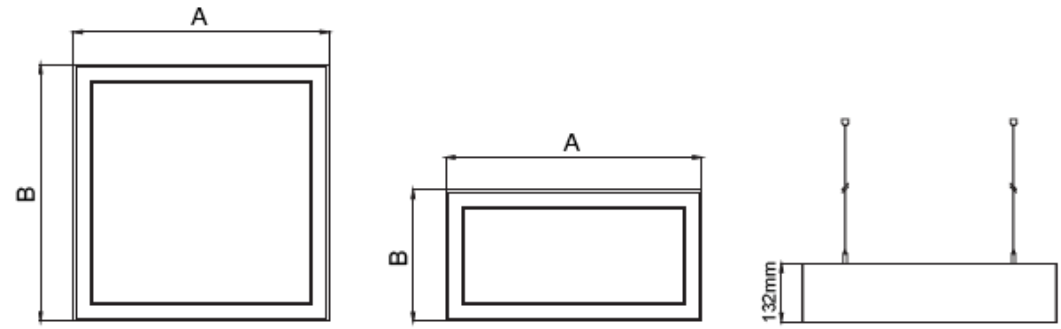


Linear Led Square

AVOLUX®



Electrical Parameters

Base Model No.:	LL.I02.LL.19625
Colours:	White, black, silver
Wattage:	68W, 142W, 212W
Length:	585mm, 1085mm, 1585mm
CCT:	2700K - 5000K
IP Rating:	IP 20
CRI:	Ra+80

Features

- Aluminium profile body.
- Only to be used with electronic Led Driver.
- Mains voltage: 220-240V / 50-60Hz.
- Clever thermal design.
- 1-10V and DALI dimming options available upon request.
- Opal diffuser.
- Can be manufactured in special dimensions upon request.
- Light output on both upward and downward directions.

Specifications

Model	Wattage	CCT	Lumens	Colour	Beam Angle
LL.I02.LL.19625.40.220-WH/3	212W	3000K	2x14600lm	White	/
LL.I02.LL.19625.40.220-WH/3.5	212W	3500K	2x14890lm	White	/
LL.I02.LL.19625.40.220-WH/4	212W	4000K	2x15185lm	White	/
LL.I02.LL.19625.40.220-GR/3	212W	3000K	2x14600lm	Grey	/
LL.I02.LL.19625.40.220-GR/3.5	212W	3500K	2x14890lm	Grey	/
LL.I02.LL.19625.40.220-GR/4	212W	4000K	2x15185lm	Grey	/
LL.I02.LL.19625.40.220-BL/3	212W	3000K	2x14600lm	Black	/
LL.I02.LL.19625.40.220-BL/3.5	212W	3500K	2x14890lm	Black	/
LL.I02.LL.19625.40.220-BL/4	212W	4000K	2x15185lm	Black	/