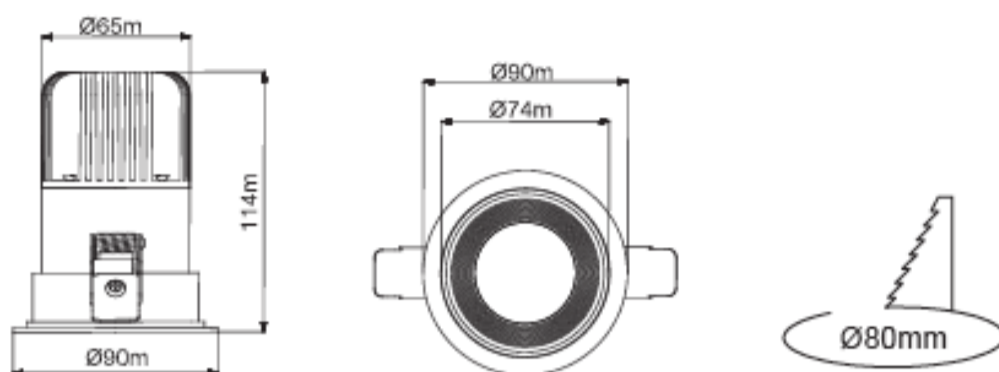


Darklight Bridgespot

AVOLUX®



Electrical Parameters

Base Model No.:	LL.I01.MLR.17028
Led Type:	Bridgelux (01)
Colours:	White, black, silver
Wattage:	7W
CCT:	2700K - 5000K
IP Rating:	IP 40
Beam Angle:	30°
CRI:	Ra+80

Features

- Die-cast aluminium body.
- Only to be used with electronic Led driver.
- Mains voltage: 220-240V / 50-60Hz.
- Clever thermal design.
- Dimming option available upon request.
- Clear safety glass.
- Medium beam angle option available.

Specifications

Model	Wattage	CCT	Lumens	Colour	Beam Angle
LL.I01.MLR.17028.01-WH/3/30	7W	3000K	530lm	White	30°
LL.I01.MLR.17028.01-WH/3.5/30	7W	3500K	545lm	White	30°
LL.I01.MLR.17028.01-WH/4/30	7W	4000K	560lm	White	30°
LL.I01.MLR.17028.01-GR/3/30	7W	3000K	530lm	Grey	30°
LL.I01.MLR.17028.01-GR/3.5/30	7W	3500K	545lm	Grey	30°
LL.I01.MLR.17028.01-GR/4/30	7W	4000K	560lm	Grey	30°
LL.I01.MLR.17028.01-BL/3/30	7W	3000K	530lm	Black	30°
LL.I01.MLR.17028.01-BL/3.5/30	7W	3500K	545lm	Black	30°
LL.I01.MLR.17028.01-BL/4/30	7W	4000K	560lm	Black	30°