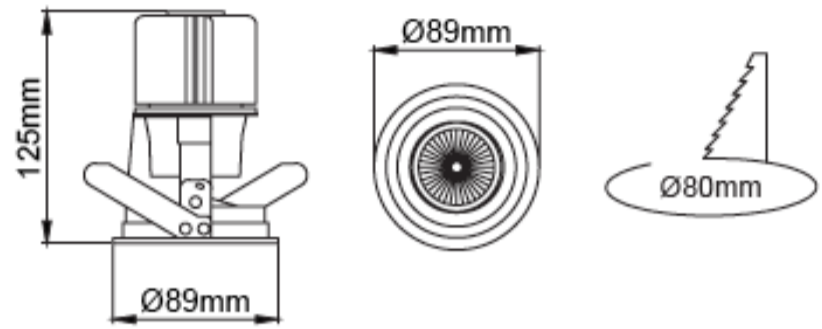


Indo Bridgespot Metallic Reflector

AVOLUX®



Electrical Parameters

Base Model No.:	LL.I01.MLR.14010
Led Type:	Bridgelux (01)
Colours:	White, black, silver
Wattage:	13W
CCT:	2700K - 5000K
IP Rating:	IP 40
CRI:	Ra+80

Features

- Die-cast aluminium body.
- Only to be used with electronic Led driver.
- Mains voltage: 220-240V / 50-60Hz.
- Clever thermal design.
- 1-10V, DALI and switch dimming options available upon request.
- Emergency kit system can be integrated.
- Indirect wallwasher lighting.

Specifications

Model	Wattage	CCT	Lumens	Colour	Beam Angle
LL.I01.MLR.14010-WH/3	13W	3000K	780lm	White	/
LL.I01.MLR.14010-WH/3.5	13W	3500K	795lm	White	/
LL.I01.MLR.14010-WH/4	13W	4000K	810lm	White	/
LL.I01.MLR.14010-GR/3	13W	3000K	780lm	Grey	/
LL.I01.MLR.14010-GR/3.5	13W	3500K	795lm	Grey	/
LL.I01.MLR.14010-GR/4	13W	4000K	810lm	Grey	/
LL.I01.MLR.14010-BL/3	13W	3000K	780lm	Black	/
LL.I01.MLR.14010-BL/3.5	13W	3500K	795lm	Black	/
LL.I01.MLR.14010-BL/4	13W	4000K	810lm	Black	/