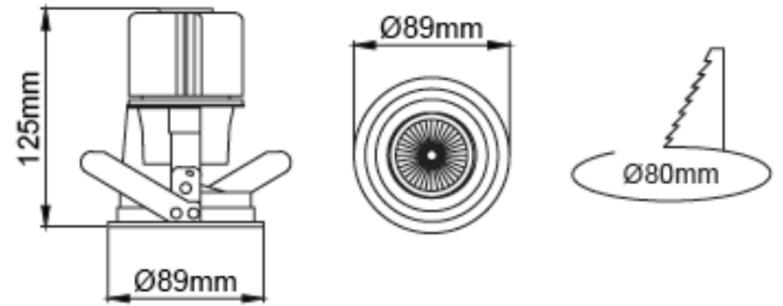


Istanbul Bridgespot Round base

AVOLUX®



32W

2700K-
5000K

Ra+80
Ra+90

IP20



Electrical Paramaters

Base Model No.:	LL.I01.MLR.17030
Led Type:	Phillips (39), Tridonic (44), Cree (06)
Colours:	White, black, silver
Wattage:	32W
CCT:	2700K - 5000K
Beam Angle:	20°, 30°, 50°
IP Rating:	IP 20
CRI:	Ra+80, Ra+90

Features

- Die-cast aluminium body.
- Only to be used with electronic Led driver.
- Mains voltage: 220-240V / 50-60Hz.
- Clever thermal design.
- 1-10V, DALI and switch dimming options available upon request.
- Clear safety glass.
- Honeycomb filter accessory available.
- Emergency kit system can be integrated.

Specifications

Model	Wattage	CCT	Lumens	Colour	Beam Angle
LL.I01.MLR.17030-WH/3/50	32W	3000K	3900lm	White	50°
LL.I01.MLR.17030-WH/3.5/50	32W	3500K	4025lm	White	50°
LL.I01.MLR.17030-WH/4/50	32W	4000K	4150lm	White	50°
LL.I01.MLR.17030-GR/3/50	32W	3000K	3900lm	Grey	50°
LL.I01.MLR.17030-GR/3.5/50	32W	3500K	4025lm	Grey	50°
LL.I01.MLR.17030-GR/4/50	32W	4000K	4150lm	Grey	50°
LL.I01.MLR.17030-BL/3/50	32W	3000K	3900lm	Black	50°
LL.I01.MLR.17030-BL/3.5/50	32W	3500K	4025lm	Black	50°
LL.I01.MLR.17030-BL/4/50	13W	4000K	4150lm	Black	50°