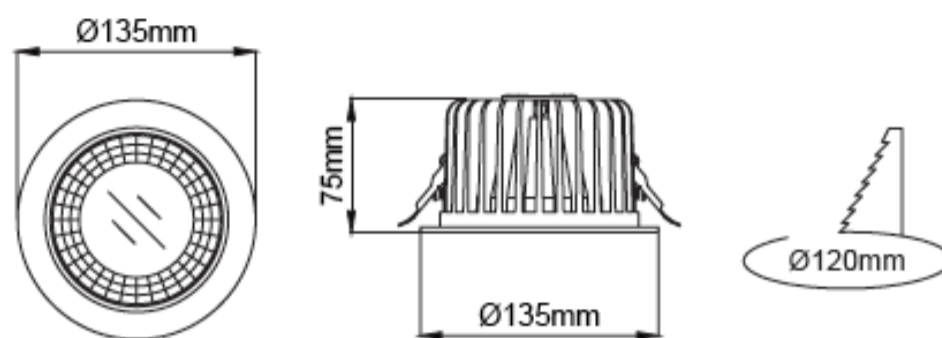


Leila Mini Downlight

AVOLUX®



Electrical Parameters

Base Model No.:	LL.I02.PLR.15068
Colours:	White, black, silver
Wattage:	10W
CCT:	2700K - 5000K
IP Rating:	IP 40
Beam Angle:	70°
CRI:	Ra+80

Features

- Die-cast aluminium body.
- Only to be used with electronic Led driver.
- Mains voltage: 220-240V / 50-60Hz.
- Clever thermal design.
- 1-10V, DALI and switch dimming options available upon request.
- Gold plated reflector option available upon request.
- IP rating possible with integration of extra silicon gasket upon request.
- Emergency kit system can be integrated.

Specifications

Model	Wattage	CCT	Lumens	Colour	Beam Angle
LL.I02.PLR.15068-WH/3/70	10W	3000K	875lm	White	70°
LL.I02.PLR.15068-WH/3.5/70	10W	3500K	887lm	White	70°
LL.I02.PLR.15068-WH/4/70	10W	4000K	900lm	White	70°
LL.I02.PLR.15068-GR/3/70	10W	3000K	875lm	Grey	70°
LL.I02.PLR.15068-GR/3.5/70	10W	3500K	887lm	Grey	70°
LL.I02.PLR.15068-GR/4/70	10W	4000K	900lm	Grey	70°
LL.I02.PLR.15068-BL/3/70	10W	3000K	875lm	Black	70°
LL.I02.PLR.15068-BL/3.5/70	10W	3500K	887lm	Black	70°
LL.I02.PLR.15068-BL/4/70	10W	4000K	900lm	Black	70°