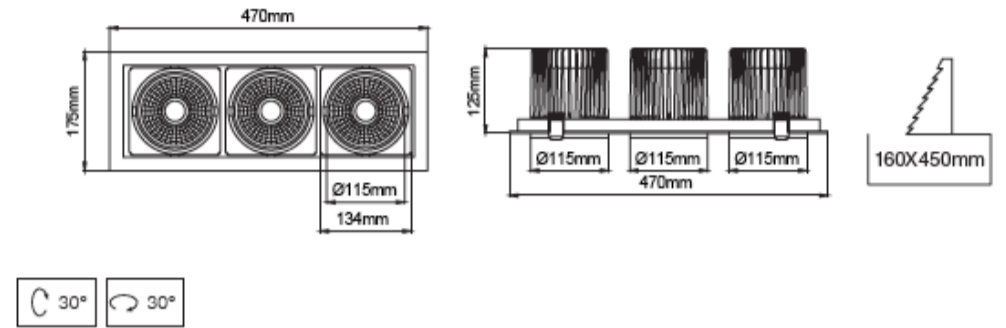


Mofos Bridgespot Triple

AVOLUX®



32W

2700K-5000K

Ra+80
Ra+90

IP20



Electrical Parameters

Base Model No.:	LL.I01.MLR.14105
Led Type:	Philips (39), Tridonic (44), Cree (06)
Colours:	White, black, silver
Wattage:	3x32W
CCT:	2700K - 5000K
IP Rating:	IP 20
Beam Angle:	20°, 30°, 50°
CRI:	Ra+80, Ra+90

Features

- Die-cast aluminium body.
- Only to be used with electronic Led Driver.
- Mains voltage: 220-240V / 50-60Hz.
- Clever thermal design.
- 1-10V, DALI and switch dimming options available upon request.
- Clear safety glass.
- Honeycomb filter accessory available.
- An emergency kit can be integrated.

Specifications

Model	Wattage	CCT	Lumens	Colour	Beam Angle
LL.I01.MLR.14105-WH/3/50	3x32W	3000K	11700lm	White	50°
LL.I01.MLR.14105-WH/3.5/50	3x32W	3500K	12025lm	White	50°
LL.I01.MLR.14105-WH/4/50	3x32W	4000K	12450lm	White	50°
LL.I01.MLR.14105-GR/3/50	3x32W	3000K	11700lm	Grey	50°
LL.I01.MLR.14105-GR/3.5/50	3x32W	3500K	12025lm	Grey	50°
LL.I01.MLR.14105-GR/4/50	3x32W	4000K	12450lm	Grey	50°
LL.I01.MLR.14105-BL/3/50	3x32W	3000K	11700lm	Black	50°
LL.I01.MLR.14105-BL/3.5/50	3x32W	3500K	12025lm	Black	50°
LL.I01.MLR.14105-BL/4/50	3x32W	4000K	12450lm	Black	50°