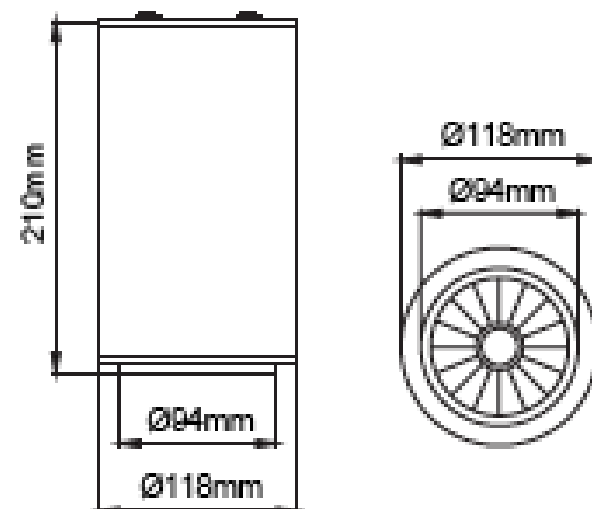


Pipa Bridgespot Surface Mounted

AVOLUX®



23W

2700K-
5000K

Ra+80
Ra+90

IP20



Electrical Paramaters

Base Model No.:	LL.I02.MLS.17010
LED Manufacturer:	Bridgelux (01), Samsung (45)
Colours:	White, black, silver
Wattage:	23W,
Beam Angle:	20°, 30°, 40°
CCT:	2700K - 5000K
IP Rating:	IP 20
CRI:	Ra+80, Ra+90

Features

- Aluminium profile body.
- Only to be used with electronic Led driver.
- Mains voltage: 220-240V / 50-60Hz.
- Clever thermal design.
- 1-10V, DALI and switch dimming options available upon request.
- Clear safety glass.
- Honeycomb filter accessory available.

Specifications

Model	Wattage	CCT	Lumens	Colour	Beam Angle
LL.I02.MLS.17010-WH/3/40	23W	3000K	2250lm	White	40°
LL.I02.MLS.17010-WH/3.5/40	23W	3500K	2300lm	White	40°
LL.I02.MLS.17010-WH/4/40	23W	4000K	2350lm	White	40°
LL.I02.MLS.17010-GR/3/40	23W	3000K	2250lm	Grey	40°
LL.I02.MLS.17010-GR/3.5/40	23W	3500K	2300lm	Grey	40°
LL.I02.MLS.17010-GR/4/40	23W	4000K	2350lm	Grey	40°
LL.I02.MLS.17010-BL/3/40	23W	3000K	2250lm	Black	40°
LL.I02.MLS.17010-BL/3.5/40	23W	3500K	2300lm	Black	40°
LL.I02.MLS.17010-BL/4/40	23W	4000K	2350lm	Black	40°