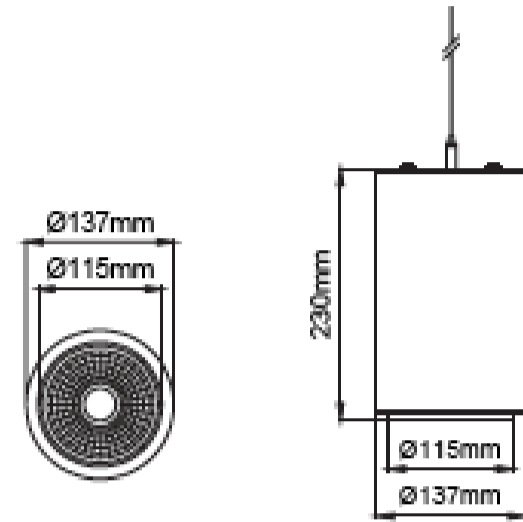


Pipa Maxi Bridgespot Suspended

AVOLUX®



Electrical Paramaters

Base Model No.:	LL.I01.MLP.16014
Led Type:	Philips (39), Tridonic (44), Cree (06)
Colours:	White, black, silver
Wattage:	29W
CCT:	2700K - 5000K
IP Rating:	IP 20
Beam Angle:	20°, 30°, 50°
CRI:	Ra+80, Ra+90

Features

- Aluminium profile body.
- Only to be used with electronic Led driver.
- Mains voltage: 220-240V / 50-60Hz.
- Clever thermal design.
- 1-10V, DALI and switch dimming options available upon request.
- Clear safety glass.
- Honeycomb filter accessory available.
- Steel suspension chain up to 5mt lenght option.

Specifications

Model	Wattage	CCT	Lumens	Colour	Beam Angle
LL.I01.MLP.16014-WH/3/50	29W	3000K	3500lm	White	50°
LL.I01.MLP.16014-WH/3.5/50	29W	3500K	3625lm	White	50°
LL.I01.MLP.16014-WH/4/50	29W	4000K	3750lm	White	50°
LL.I01.MLP.16014-GR/3/50	29W	3000K	3500lm	Grey	50°
LL.I01.MLP.16014-GR/3.5/50	29W	3500K	3625lm	Grey	50°
LL.I01.MLP.16014-GR/4/50	29W	4000K	3750lm	Grey	50°
LL.I01.MLP.16014-BL/3/50	29W	3000K	3500lm	Black	50°
LL.I01.MLP.16014-BL/3.5/50	29W	3500K	3625lm	Black	50°
LL.I01.MLP.16014--BL/4/50	29W	4000K	3750lm	Black	50°