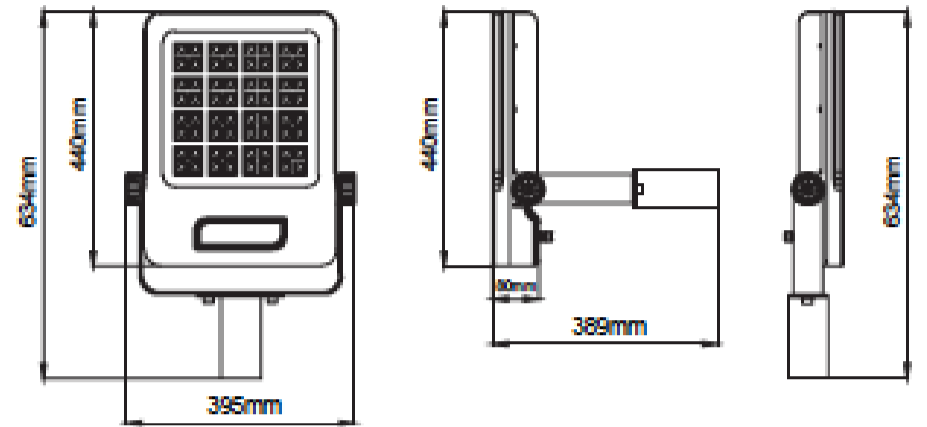


# Herkul ST

AVOLUX®



71 - 142 W    4000K    Ra+80 Ra+70    IP66



## Electrical Paramaters

<b>Base Model No.:</b>	<b>LL.O07.ST.16930</b>
Colours:	Black, Textured Metallic Dark Grey
Wattage:	71W 100W 142 W
CCT:	4000K
IP Rating:	IP 66
CRI:	Ra+70 Ra+80

## Features

- Street lighting system for use with LEDs.
- Corrosion resistant die-cast aluminium body.
- Only to be used with electronic Led driver.
- Mains voltage: 220-240V / 50-60Hz.
- Miro silver reflector on surface.
- Clever thermal design.
- High visual comfort.
- Suitable for illumination up to 8-10 meter pole height.
- High performance optics suitable for streetlighting standards.
- 0° - 90° bracket adjustment possible.
- Pole-top installation on poles with ending part from Ø42 to Ø63 mm.
- Driving current options of 350mA, 500mA and 700mA.
- Suitable for lighting classes up to ME3a.

## Specifications

Model	Wattage	CCT	Lumens	Height	Pole Distance	LED Type
LL.O07.ST.16930.V1	71W	4000K	8571lm	8 m	26m	Cree XTE
LL.O07.ST.16930.V2	100W	4000K	11365lm	10m	33m	Cree XTE
LL.O07.ST.16930.V3	142W	4000K	15049lm	10m	32m	Cree XTE