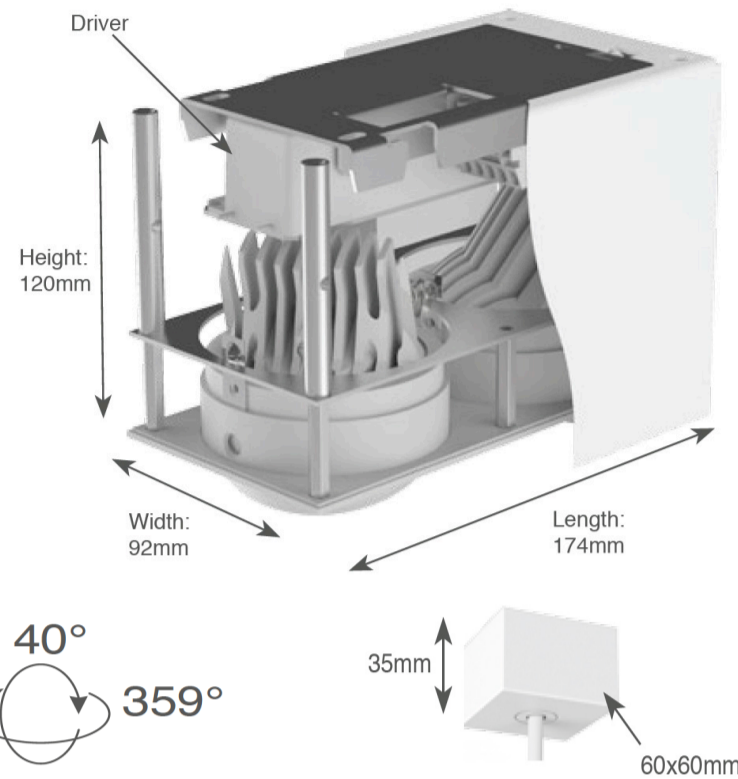


Titan Box Suspended



Electrical Parameters

Base Model No.:	LL.1410.90
LED Module:	Bridgelux Vero 10 LED
Colours:	Several options
Wattage:	2x 9.3W
Beam Angle:	28°, 40°
CCT:	2700K - 3000K
IP Rating:	Class I, IP 20
CRI:	Ra+80, Ra+90

Features

- High efficiency pendant LED, equipped with a Bridgelux chip-on-board LED.
- Compact design with a tilt of 90 degrees.
- High Quality components.
- Available with wide beam or medium beam.
- Very long lifetime (L70B50 +50000hrs).
- High efficiency LED with many possibilities.
- High Lumen output.
- High CRI (>90) and great color consistency.
- Easy installation.
- Reflector variants: Cone, Organic and Anti-glare.
- Dimmable options: 1-10V, Dali, Main, Push

Colours



Specifications

Model	Wattage	CCT/CRI	Lumens	Colour	Beam Angle
LL.1410.90.2700.28.01	(2x) 9.3W	2700K - Ra90	(2x) 910 lm	White Matt	28°
LL.1410.90.3000.28.01	(2x) 9.3W	3000K - Ra90	(2x) 950 lm	White Matt	28°
LL.1410.90.2700.40.01	(2x) 9.3W	2700K - Ra90	(2x) 910 lm	White Matt	40°
LL.1410.90.3000.40.01	(2x) 9.3W	3000K - Ra90	(2x) 950 lm	White Matt	40°