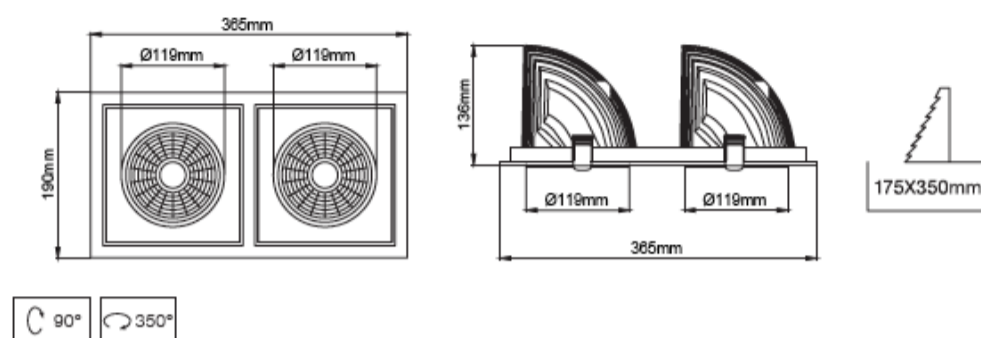


# Zebra Bridgespot Double

AVOLUX®



**32w**

**2700K-5000K**

**Ra+80  
Ra+90**

**IP20**



## Electrical Paramaters

|                        |                                        |
|------------------------|----------------------------------------|
| <b>Base Model No.:</b> | <b>LL.I01.MLR.32238</b>                |
| Led Type:              | Philips (39), Tridonic (44), Cree (06) |
| Colours:               | White, black, silver                   |
| Wattage:               | 2x32W                                  |
| CCT:                   | 2700K - 5000K                          |
| IP Rating:             | IP 20                                  |
| Beam Angle:            | 20°, 30°, 50°                          |
| CRI:                   | Ra+80, Ra+90                           |

## Features

- Die-cast aluminium body.
- Only to be used with electronic Led Driver.
- Mains voltage: 220-240V / 50-60Hz.
- Clever thermal design.
- 1-10V, DALI and switch dimming options available upon request.
- Clear safety glass.
- Honeycomb filter accessory available.
- An emergency kit can be integrated.

## Specifications

| Model                      | Wattage | CCT   | Lumens | Colour | Beam Angle |
|----------------------------|---------|-------|--------|--------|------------|
| LL.I01.MLR.32238-WH/3/50   | 2x32W   | 3000K | 7800lm | White  | 50°        |
| LL.I01.MLR.32238-WH/3.5/50 | 2x32W   | 3500K | 8050lm | White  | 50°        |
| LL.I01.MLR.32238-WH/4/50   | 2x32W   | 4000K | 8300lm | White  | 50°        |
| LL.I01.MLR.32238-GR/3/50   | 2x32W   | 3000K | 7800lm | Grey   | 50°        |
| LL.I01.MLR.32238-GR/3.5/50 | 2x32W   | 3500K | 8050lm | Grey   | 50°        |
| LL.I01.MLR.32238-GR/4/50   | 2x32W   | 4000K | 8300lm | Grey   | 50°        |
| LL.I01.MLR.32238-BL/3/50   | 2x32W   | 3000K | 7800lm | Black  | 50°        |
| LL.I01.MLR.32238-BL/3.5/50 | 2x32W   | 3500K | 8050lm | Black  | 50°        |
| LL.I01.MLR.32238-BL/4/50   | 2x32W   | 4000K | 8300lm | Black  | 50°        |