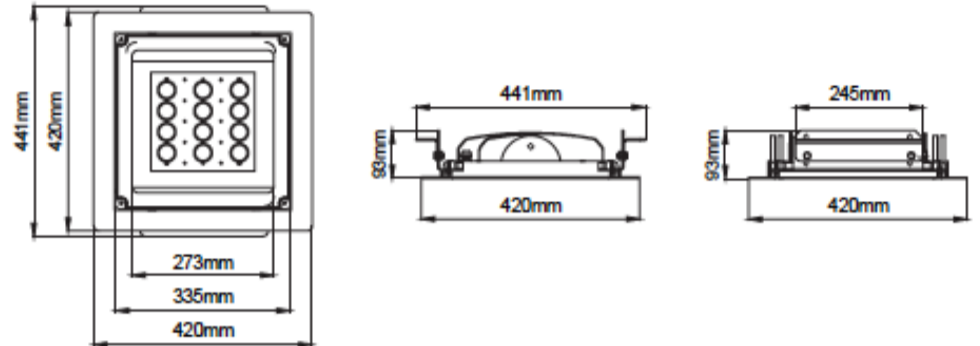


Benzin Canopy

AVOLUX®



70w

4000K-5000K

Ra+80

IP66



Electrical Parameters

Base Model No.:	LL.O07.WL.16200
Colours:	White
Wattage:	70W, 94W
CCT:	2700K - 5000K
IP Rating:	IP 66
Beam Angle:	60°
Driver Voltage:	220-240V
CRI:	Ra+80

Features

- Corrosion resistant die-cast aluminium body.
- Only to be used with electronic Led driver.
- Mains voltage: 220-240V / 50-60Hz.
- Can be used Power Leds.
- Clever thermal design.60° wide beam angle to meet lighting standards of petrol stations.
- Led colour temperatures optionally 4000K and 5000K.

Specifications

Model	Wattage	CCT	Lumens	Colour	Beam Angle
LL.O07.WL.16200-WH/70W4K	70w	4000K	9100lm	White	60°
LL.O07.WL.16200-WH/70W5K	70w	5000K	9500lm	White	60°
LL.O07.WL.16200-WH/94W4K	94W	4000K	12150lm	White	60°
LL.O07.WL.16200-WH/94W5K	94W	5000K	12750lm	White	60°