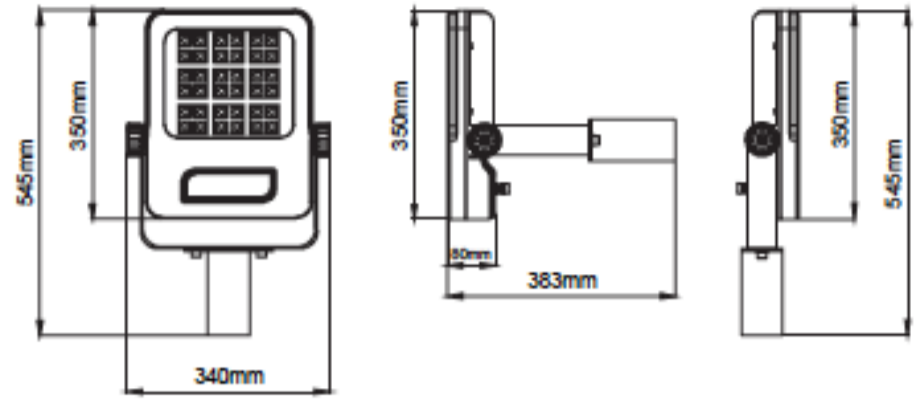


Mini Herkul ST

AVOLUX®



40 -
82 W

4000K

Ra+80
Ra+70

IP66



Electrical Paramaters

Base Model No.:	LL.O07.ST.16935
Colours:	Black, Textured Metallic Dark Grey
Wattage:	40W 58W 82.5W
CCT:	4000K
IP Rating:	IP 66
CRI:	Ra+70 Ra+80

Features

- Street lighting system for use with LEDs.
- Corrosion resistant die-cast aluminium body.
- Only to be used with electronic Led driver.
- Mains voltage: 220-240V / 50-60Hz.
- Miro silver reflector on surface.
- Clever thermal design.
- High visual comfort.
- Suitable for illumination up to 4-8 meter pole height.
- High performance optics suitable for streetlighting standards.
- 0° - 90° bracket adjustment possible.
- Pole-top installation on poles with ending part from Ø42 to Ø63 mm.
- Driving current options of 350mA, 500mA and 700mA.
- Suitable for lighting classes up to ME3a.

Specifications

Model	Wattage	CCT	Lumens	Height	Pole Distance	LED Type
LL.O07.ST.16935.V1	40W	4000K	4384lm	6 m	24m	Cree XTE
LL.O07.ST.16935.V2	58W	4000K	5956lm	8 m	21m	Cree XTE
LL.O07.ST.16935.V3	82.5W	4000K	7553lm	8 m	26m	Cree XTE