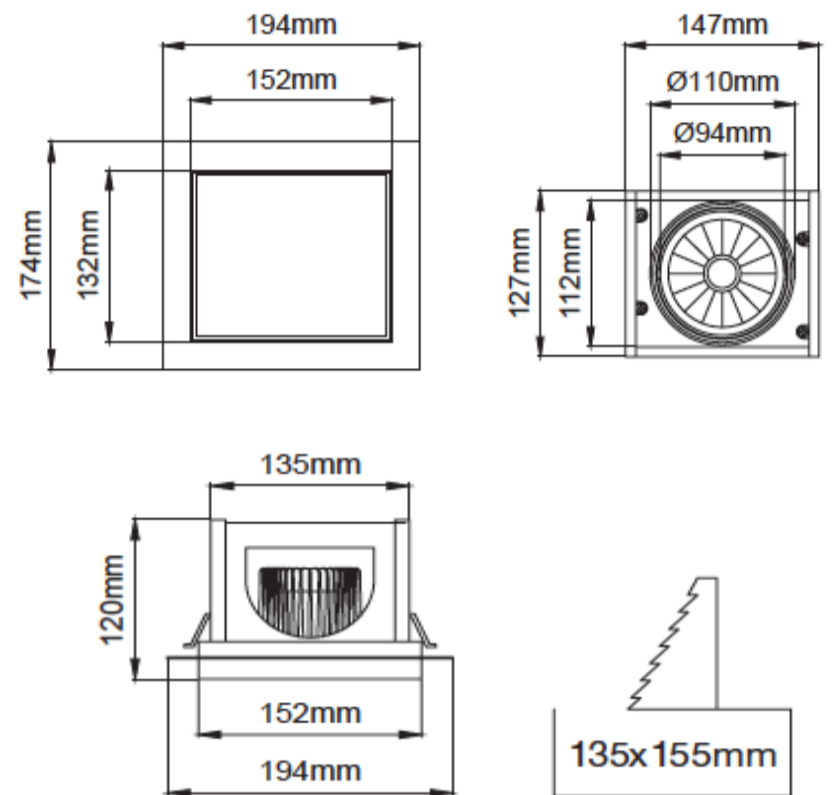
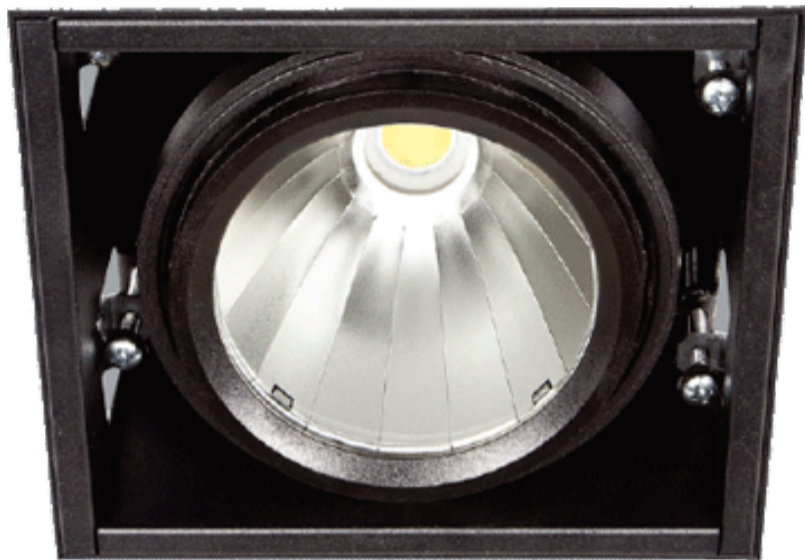


Mini Mera Bridgespot



23 - 27W

2700 -5000K

Ra+80 Ra+90

IP20



Electrical Paramaters

Base Model No.:	LL.I01.MLR.17111
LED Module:	Philips, Bridgelux or Samsung
Colours:	Grey, White, Black
Wattage:	23 - 27W
Beam Angle:	20°, 30°, 40°
CCT:	2700K - 5000K
IP Rating:	IP 20
CRI:	Ra+80, Ra+90

Features

- Die-cast aluminium body.
- Only to be used with electronic Led driver.
- Mains voltage: 220-240V / 50-60Hz.
- Clever thermal design and clear safety glass.
- 1-10V, DALI and switch dimming options available upon request.
- Basic colours: white, black, silver and special color options available upon request.
- Honeycomb filter accesorie available.
- Narrow, medium and wide beam angle options available with rotationally symmetric light distribution.
- Emergency kit system can be integrated.

Specifications

Model	Wattage	CCT/CRI	LED	Lumens	Beam Angle
LL.I01.MLR.17111-20d2KPH	27W	2700K - Ra80	Philips 39	2750 lm	20°
LL.I01.MLR.17111-20d3KPH	27W	3000K - Ra80	Philips 39	2900 lm	20°
LL.I01.MLR.17111-20d4KPH	27W	4000K - Ra80	Philips 39	3000 lm	20°
LL.I01.MLR.17111-20d2K9PH	27W	2700K - Ra90	Philips 39	2200 lm	20°
LL.I01.MLR.17111-20d3K9PH	27W	3000K - Ra90	Philips 39	2400 lm	20°
LL.I01.MLR.17111-20d2KBR	23W	2700K - Ra80	Bridgelux 01	2150 lm	20°
LL.I01.MLR.17111-20d3KBR	23W	3000K - Ra80	Bridgelux 01	2250 lm	20°
LL.I01.MLR.17111-20d4KBR	23W	4000K - Ra80	Bridgelux 01	2350 lm	20°
LL.I01.MLR.17111-20d5KBR	23W	5000K - Ra80	Bridgelux 01	2400 lm	20°
LL.I01.MLR.17111-20d2K9BR	23W	2700K - Ra90	Bridgelux 01	1750 lm	20°
LL.I01.MLR.17111-20d3K9BR	23W	3000K - Ra90	Bridgelux 01	1800 lm	20°
LL.I01.MLR.17111-20d2KBR	23W	2700K - Ra80	Samsung 45	2350 lm	20°
LL.I01.MLR.17111-20d3KBR	23W	3000K - Ra80	Samsung 45	2500 lm	20°